

# Sanitana

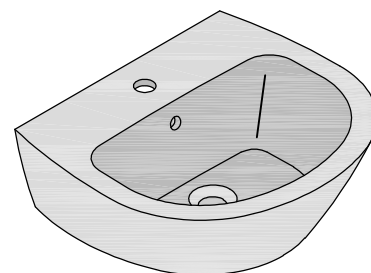
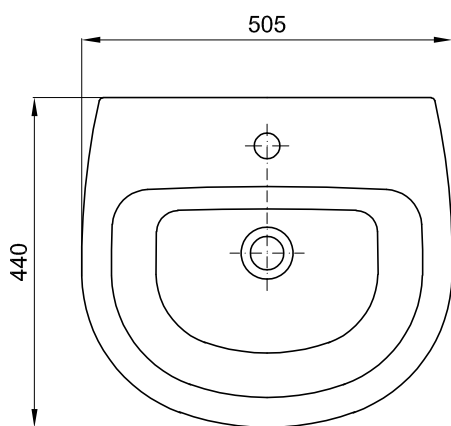
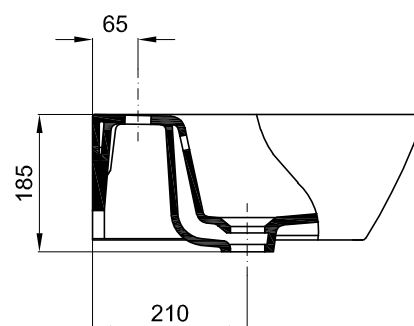
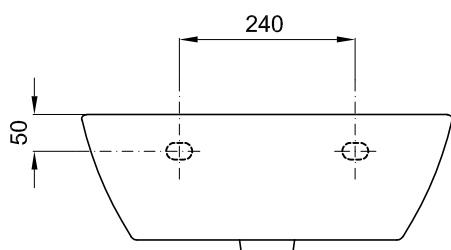
## CARACTERÍSTICAS DO MODELO:

- MATERIAL: VITREOUS CHINA
- LAVA - MÃOS MURAL COM UM FURO ABERTO PARA TORNEIRA MONOBLOCO
- PROVIDO DE FURO LADRÃO
- S/EN 31; UNE - EN 31; NF - EN 31; EN 14688
- GARANTIA DE 2 ANOS
- PESO: 13.0KG

## PEÇA:

- DESCRIÇÃO: LAVA - MÃOS MURAL
- SERIE: KAPA / POP ART
- VERSÃO: 50.5x44 - UM FURO PARA TORNEIRA
- REF: S100782362...00

## CROQUIS COM DIMENSÕES GERAIS E DE LIGAÇÃO:



## COMPONENTES INCLuíDOS:

- KIT DE FIXAÇÃO LAVATÓRIO Ref: TNR100000001002

## PRODUTOS ASSOCIADOS:

- SEMI-COLUNA Ref: S100779178...00 (OPCIONAL)

# Sanitana

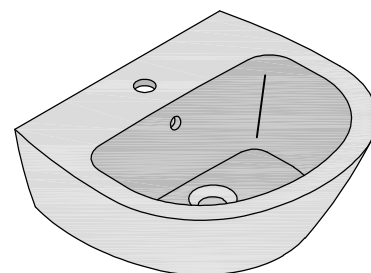
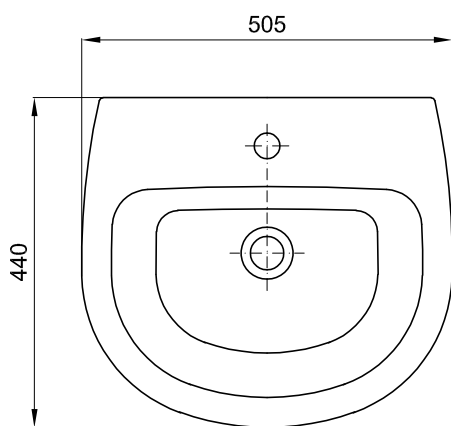
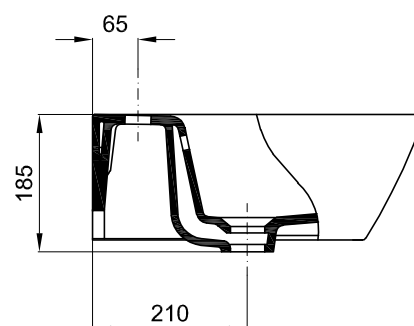
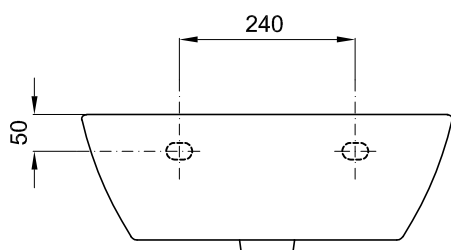
## FEATURES OF THE MODEL:

- MATERIAL: VITREOUS CHINA
- WALL BASIN WITH OPEN HOLE FOR TAP MONOBLOC
- PROVIDED WITH HOLE THIEF
- EN 31; UNE-EN 31; NF-EN 31; EN 14688
- TWO YEARS WARRANTY
- WEIGHT: 13.0KG

## PART:

- DESCRIPTION: WASHBASIN WALL HUNG
- SERIES: KAPA / POP ART
- VERSION: 50.5x44 - ONE HOLE FOR TAP
- REF: S100782362...00

## SKETCH WITH DIMENSIONS AND CONNECTIONS:



## INCLUDED COMPONENTS:

- FIXING KIT WASHBASIN Ref: TNR100000001002

## RELATED PRODUCTS:

- SEMI-COLUMN Ref: S100779178...00 (OPCIONAL)

FORM Nº: SDRW-000043405-c

The products presented follow technical specifications Sanitana SA. The dimensions are approximate. For installation as only to be considered the dimensions of the part to be removed applied. We reserve the right to make technical changes to improve the functionality of our products without notice.