

# Sanitana

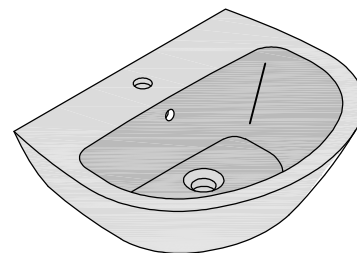
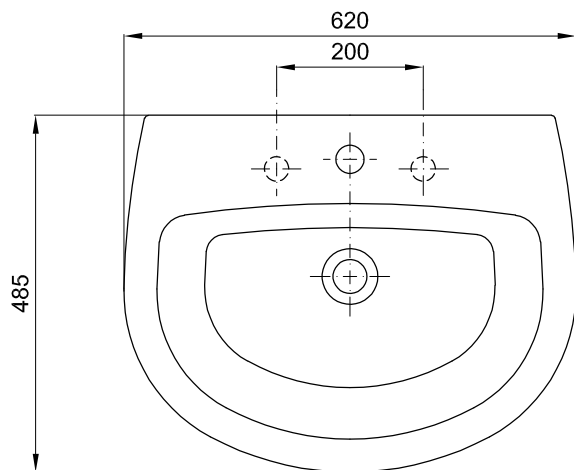
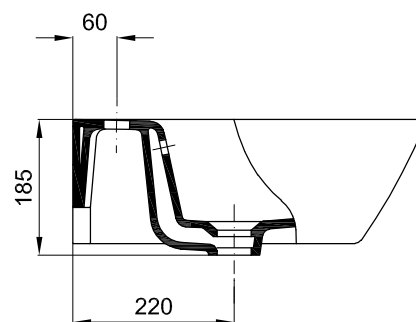
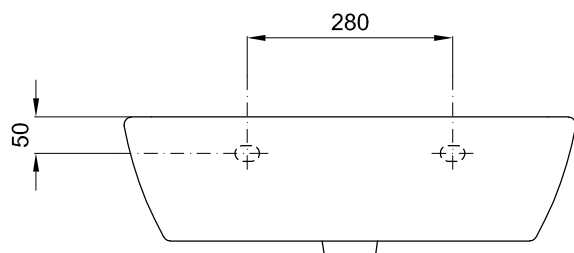
## CARACTERÍSTICAS DO MODELO:

- MATERIAL: VITREOUS CHINA
- LAVATÓRIO MURAL COM UM FURO ABERTO E DOIS SIMULADOS PARA TORNEIRAS INDEPENDENTES
- PROVIDO DE FURO LADRÃO
- S/EN 31; UNE - EN 31; NF - EN 31; NF D 11 - 101; EN 14688
- GARANTIA DE 2 ANOS
- PESO: 17.5KG

## PEÇA:

- DESCRIÇÃO: LAVATÓRIO MURAL
- SERIE: KAPA / POP ART
- VERSÃO: 62x48.5 - TRÊS FUIROS PARA TORNEIRA
- REF: S100784362...00

## CROQUIS COM DIMENSÕES GERAIS E DE LIGAÇÃO:



## COMPONENTES INCLUÍDOS:

- KIT DE FIXAÇÃO LAVATÓRIO Ref: TNR100000001002

## PRODUTOS ASSOCIADOS:

- SEMI-COLUNA Ref: S100779178...00 (OPCIONAL)
- COLUNA DE PÉ Ref: S100778000...00 (OPCIONAL)

# Sanitana

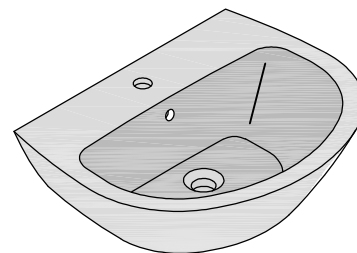
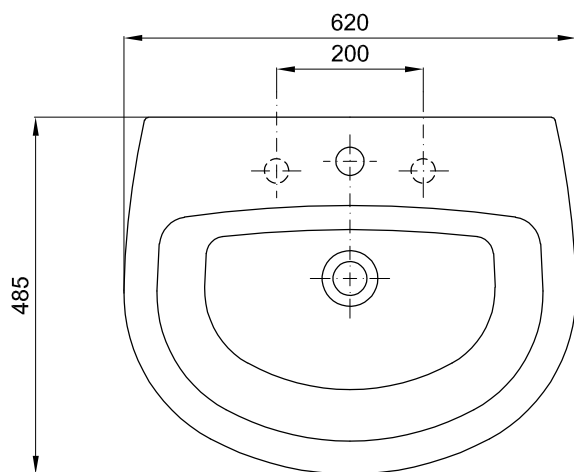
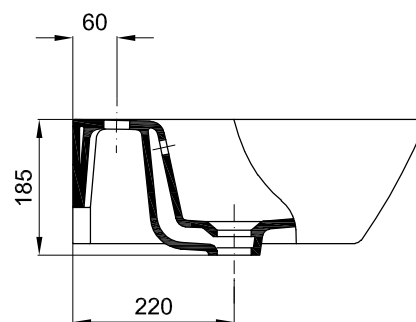
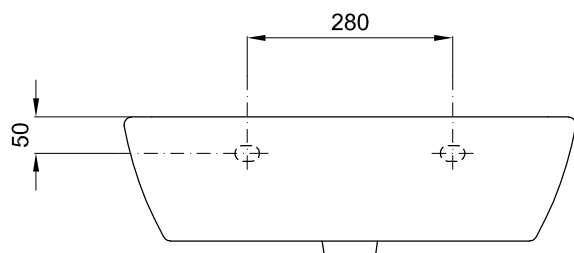
## FEATURES OF THE MODEL:

- MATERIAL: VITREOUS CHINA
- WALL BASIN WITH ONE OPEN HOLE AND TWO HOLES SIMULATED FOR INDEPENDENT TAPS
- PROVIDED WITH HOLE THIEF
- EN 31; UNE-EN 31; NF-EN 31; NF D 11 - 101; EN 14688
- TWO YEARS WARRANTY
- WEIGHT: 17.5KG

## PART:

- DESCRIPTION: WASHBASIN WALL HUNG
- SERIES: KAPA / POP ART
- VERSION: 62x48.5 - THREE HOLES FOR TAP
- REF: S100784362...00

## SKETCH WITH DIMENSIONS AND CONNECTIONS:



## INCLUDED COMPONENTS:

- FIXING KIT WASHBASIN Ref: TNR100000001002

## RELATED PRODUCTS:

- SEMI-COLUMN Ref: S100779178...00 (OPCIONAL)
- STAND COLUMN Ref: S100778000...00 (OPCIONAL)

FORM Nº: SDRW-000043409-b

The products presented follow technical specifications Sanitana SA. The dimensions are approximate. For installation as only to be considered the dimensions of the part to be removed applied. We reserve the right to make technical changes to improve the functionality of our products without notice.