

Sanitana

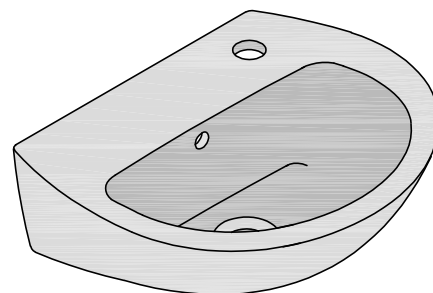
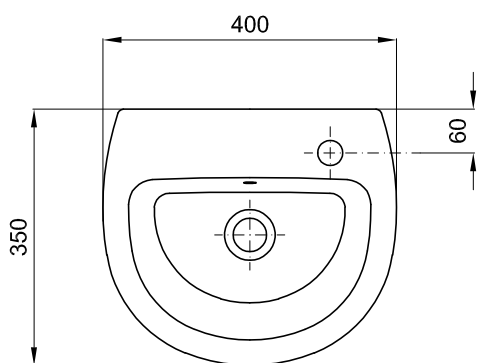
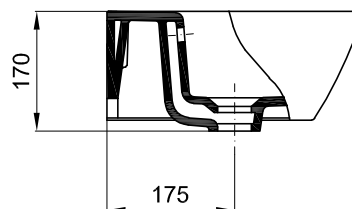
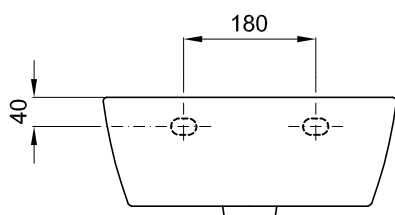
CARACTERÍSTICAS DO MODELO:

- MATERIAL: VITREOUS CHINA
- LAVA - MÃOS MURAL COM UM FURO ABERTO PARA TORNEIRA MONOBLOCO
- PROVIDO DE FURO LADRÃO
- S/EN 31; UNE - EN 31; NF - EN 31; EN 14688
- GARANTIA DE 2 ANOS
- PESO: 10.0KG

PEÇA:

- DESCRIÇÃO: LAVA - MÃOS MURAL
- SERIE: KAPA / POP ART
- VERSÃO: 40x35 - UM FURO PARA TORNEIRA
- REF: S100781169...00

CROQUIS COM DIMENSÕES GERAIS E DE LIGAÇÃO:



COMPONENTES INCLuíDOS:

- KIT DE FIXAÇÃO LAVATÓRIO Ref: TNR100000001002

PRODUTOS ASSOCIADOS:

Sanitana

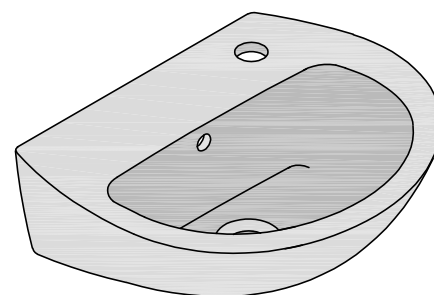
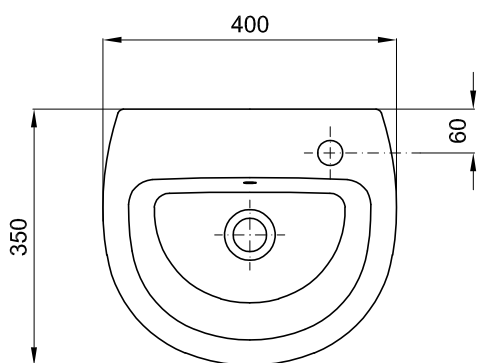
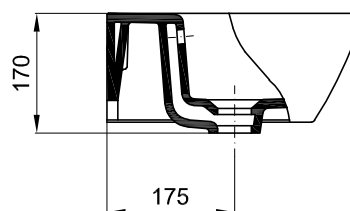
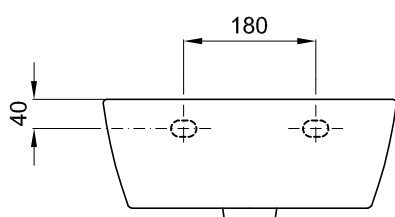
FEATURES OF THE MODEL:

- MATERIAL: VITREOUS CHINA
- WALL BASIN WITH OPEN HOLE FOR TAP MONOBLOC
- PROVIDED WITH HOLE THIEF
- EN 31; UNE-EN 31; NF-EN 31; EN 14688
- TWO YEARS WARRANTY
- WEIGHT: 10.0KG

PART:

- DESCRIPTION: WASHBASIN WALL HUNG
- SERIES: KAPA / POP ART
- VERSION: 40x35 - ONE HOLE FOR TAP
- REF: S100781169...00

SKETCH WITH DIMENSIONS AND CONNECTIONS:



INCLUDED COMPONENTS:

- FIXING KIT WASHBASIN Ref: TNR1000000001002

RELATED PRODUCTS:

FORM Nº: SDRW-000043404-c

The products presented follow technical specifications Sanitana SA. The dimensions are approximate. For installation as only to be considered the dimensions of the part to be removed applied. We reserve the right to make technical changes to improve the functionality of our products without notice.