

Sanitana

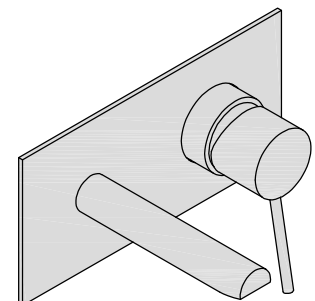
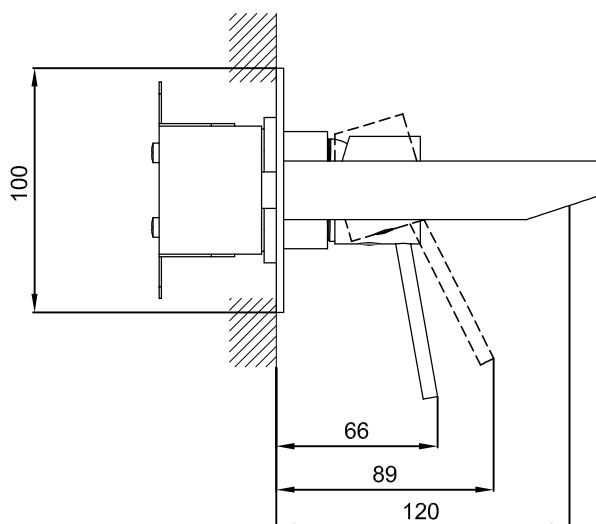
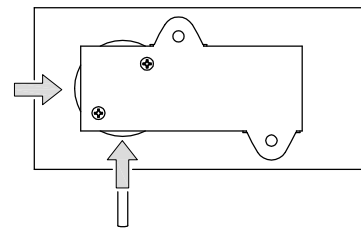
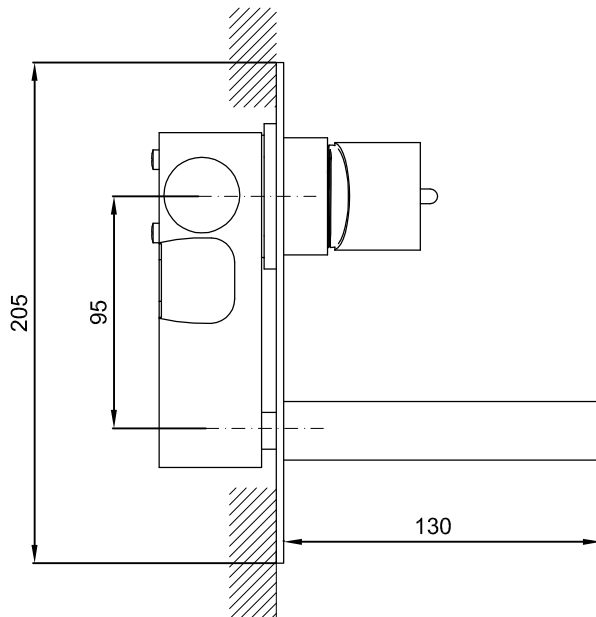
CARACTERÍSTICAS DO MODELO:

- MATERIAL: LATÃO CROMADO
- CARTUCHO ECOLÓGICO "DUE" Ø 40mm COM DISCOS CERÂMICOS
- PROFUNDIDADE DE INSTALAÇÃO: MIN. 50mm
- GARANTIA DE 5 ANOS
- PESO: 2.40 KG

PEÇA:

- DESCRIÇÃO: TORNEIRA DE ENCASTRAR PARA LAVATÓRIO
- SERIE: UNIC
- VERSÃO: MONOCOMANDO DE BICA CURTA
- REF: TUNICLPC0101M0

CROQUIS COM DIMENSÕES GERAIS E DE LIGAÇÃO:



COMPONENTES INCLUÍDOS:

- CAIXA METÁLICA PARA ENCASTRE

PRODUTOS ASSOCIADOS:

- VÁLVULAS DE DESCARGA : (OPCIONAL, VER CATÁLOGO GERAL)
- SIFÕES DE DESCARGA : (OPCIONAL, VER CATÁLOGO GERAL)
- LAVATÓRIOS: (OPCIONAL, VER CATÁLOGO GERAL)

Sanitana

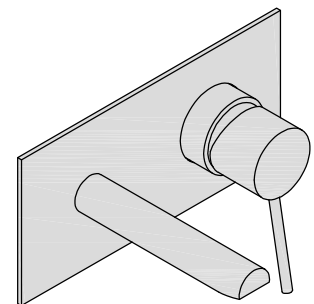
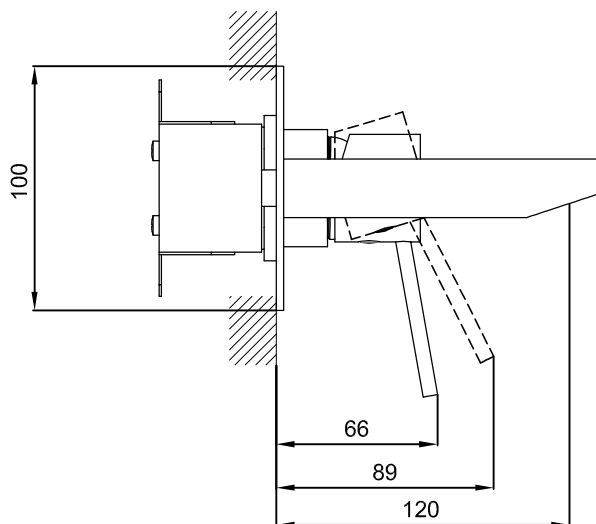
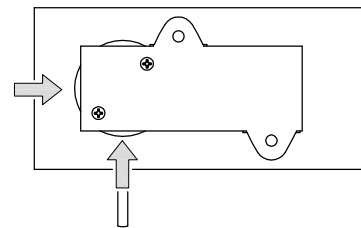
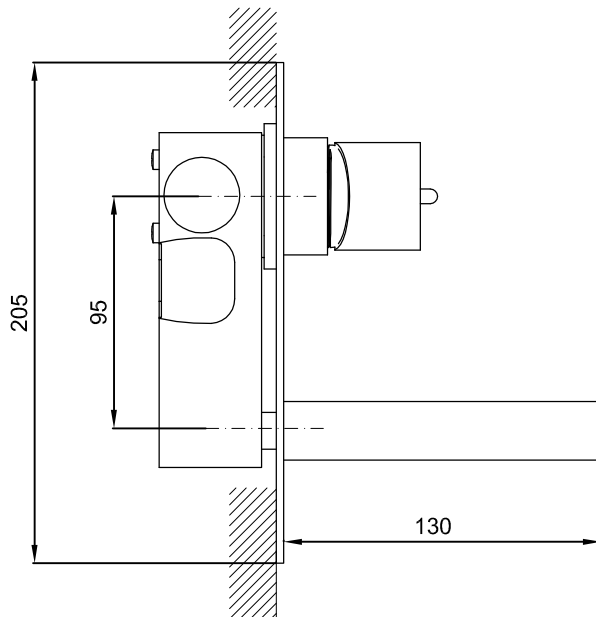
FEATURES OF THE MODEL:

- MATERIAL: BRASS CHROME
- ECOLOGIC "DUE" CARTRIDGE INSIDE Ø 40mm WITH CERAMIC DISCS
- DEPTH OF INSTALLATION: MIN. 50mm
- 5 YEARS WARRANTY
- WEIGHT: 2.40 KG

PART:

- DESCRIPTION: BUILT-IN TAP FOR WASHBASIN
- SERIES: UNIC
- VERSION: SINGLE LEVER OF SHORT SPOUT
- REF: TUNICLPC0101M0

SKETCH WITH DIMENSIONS AND CONNECTIONS:



INCLUDED COMPONENTS:

- BUILT-IN METAL BOX

RELATED PRODUCTS:

- WASTE VALVE: (OPTIONAL, CONSULT GENERAL CATALOGUE)
- SIPHONES UNLOADING : (OPTIONAL, CONSULT GENERAL CATALOGUE)
- WASHBASINS: (OPTIONAL, CONSULT GENERAL CATALOGUE)

FORM N°: SDRW-000040263a

The products presented follow technical specifications by Sanitana SA. Dimensions provided are indicative only. For custom installation, should only be considered the dimensions measured directly on the part to be installed. We reserve the right to make technical changes to improve the functionality of our products without prior notice.