

Sanitana

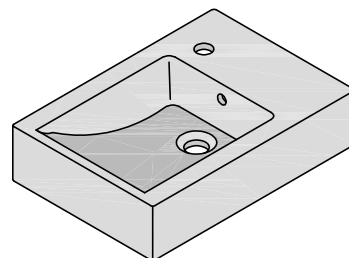
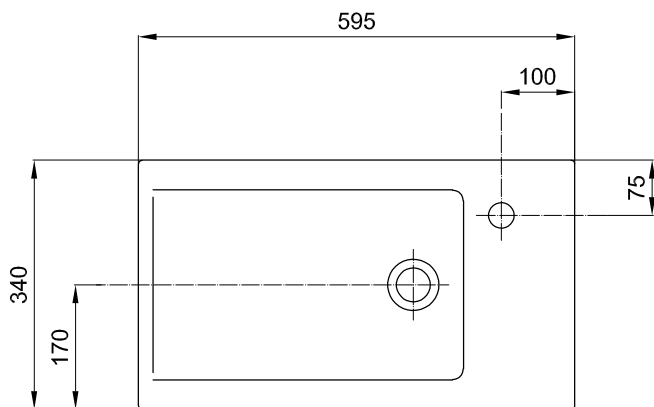
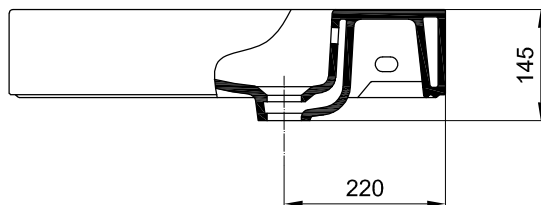
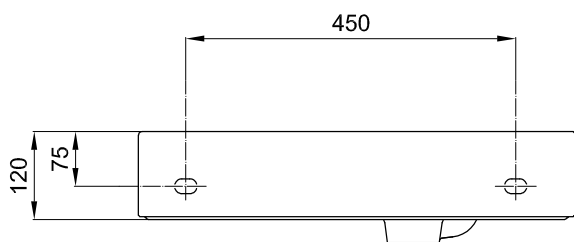
CARACTERÍSTICAS DO MODELO:

- MATERIAL: GRÉS FINO
- LAVATÓRIO MURAL OU DE POUSAR COM UM FURO ABERTOS PARA TORNEIRA MONOBLOCO
- PROVIDO DE FURO LADRÃO
- S/EN 31; UNE - EN 31; NF - EN 31; NF D 11 - 101; EN 14688
- GARANTIA DE 2 ANOS
- PESO: 15.0KG

PEÇA:

- DESCRIÇÃO: LAVATÓRIO MURAL OU DE POUSAR
- SERIE: CUBIC
- VERSÃO: 60x34 - UM FURO PARA TORNEIRA
- REF: S100663359...00

CROQUIS COM DIMENSÕES GERAIS E DE LIGAÇÃO:



COMPONENTES INCLUÍDOS:

- KIT DE FIXAÇÃO LAVATÓRIO Ref: TNR100000001002

PRODUTOS ASSOCIADOS:

- MOVEL CUBIC 60 Ref: S700513033...00

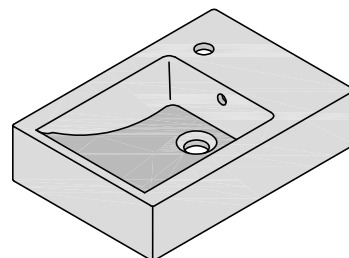
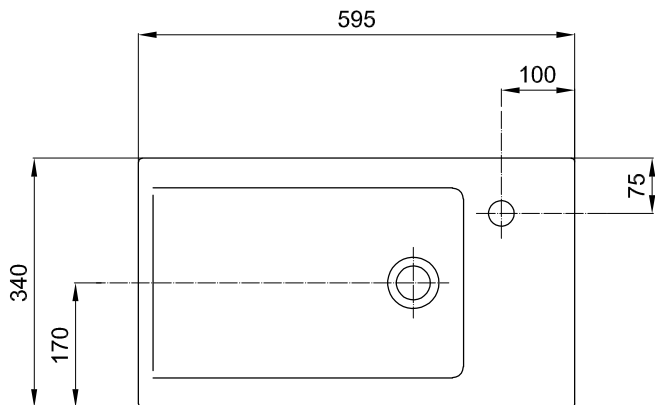
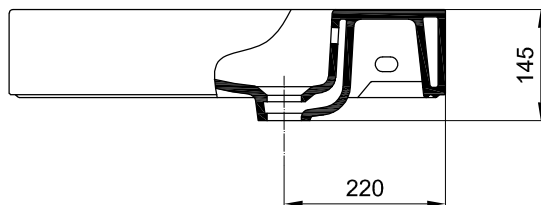
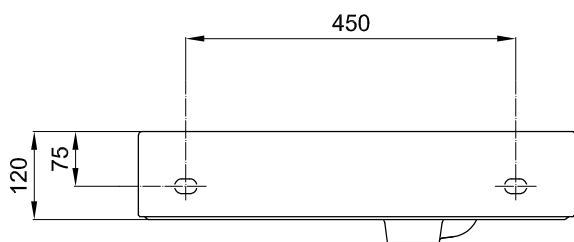
Sanitana

FEATURES OF THE MODEL:

- MATERIAL: FIRE CLAY
- WALL HUNG OR SELF STANDING WITH ONE OPEN HOLE FOR INDEPENDENT TAP
- PROVIDED WITH HOLE THIEF
- EN 31; UNE-EN 31; NF-EN 31; NF D 11 - 101; EN 14688
- TWO YEARS WARRANTY
- WEIGHT: 15.0KG

PART:

- DESCRIPTION: WASHBASIN WALL HUNG OR SELF STANDING
- SERIES: CUBIC
- VERSION: 60x34 - ONE HOLE FOR TAP
- REF: S100663359...00

SKETCH WITH DIMENSIONS AND CONNECTIONS:**INCLUDED COMPONENTS:**

- FIXING KIT WASHBASIN Ref: TNR100000001002

RELATED PRODUCTS:

- FURNITURE CUBIC 60 Ref: S700513033...00

FORM N°: SDRW-00042810-b

The products presented follow technical specifications Sanitana SA. The dimensions are approximate. For installation as only to be considered the dimensions of the part to be removed applied. We reserve the right to make technical changes to improve the functionality of our products without notice.