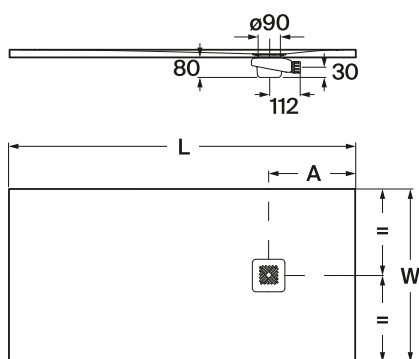


(mm)

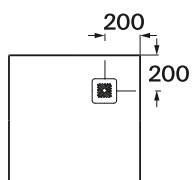
Rectangular shower tray dimensions (LxW)

A



$800 \times 600 \leq L \times W \leq 1800 \times 700$	350
$800 \times 701 \leq L \times W \leq 2000 \times 800$	400
$1000 \times 801 \leq L \times W \leq 2000 \times 900$	450
$1000 \times 901 \leq L \times W \leq 2000 \times 1000$	500
$1201 \times 1001 \leq L \times W \leq 1600 \times 1400$	450
$1601 \times 1001 \leq L \times W \leq 2000 \times 1400$	500

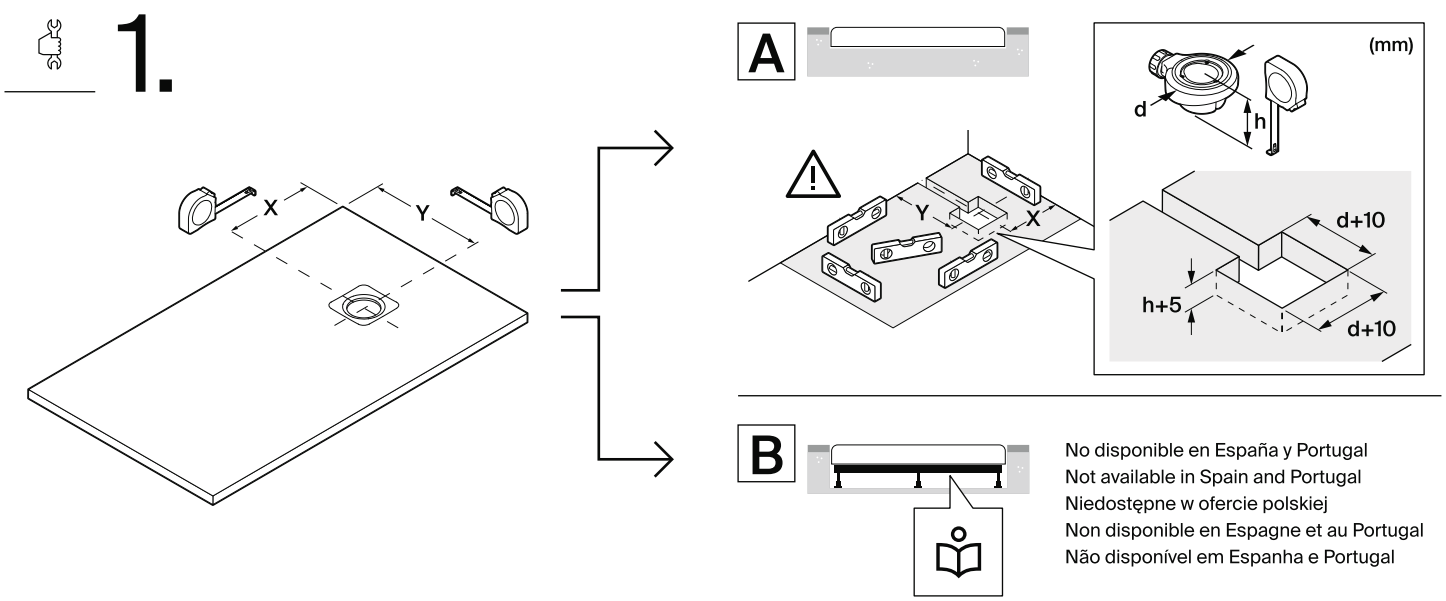
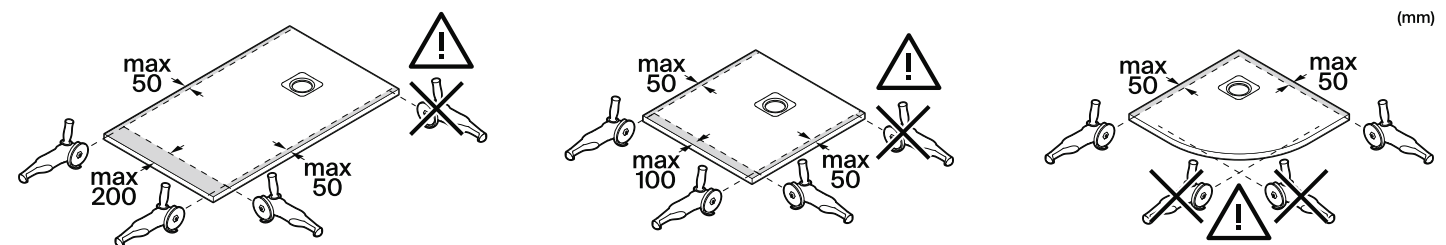
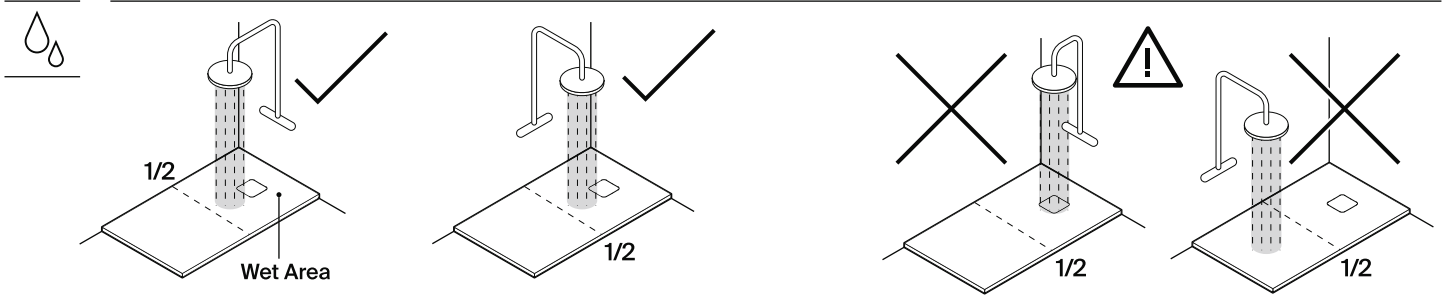
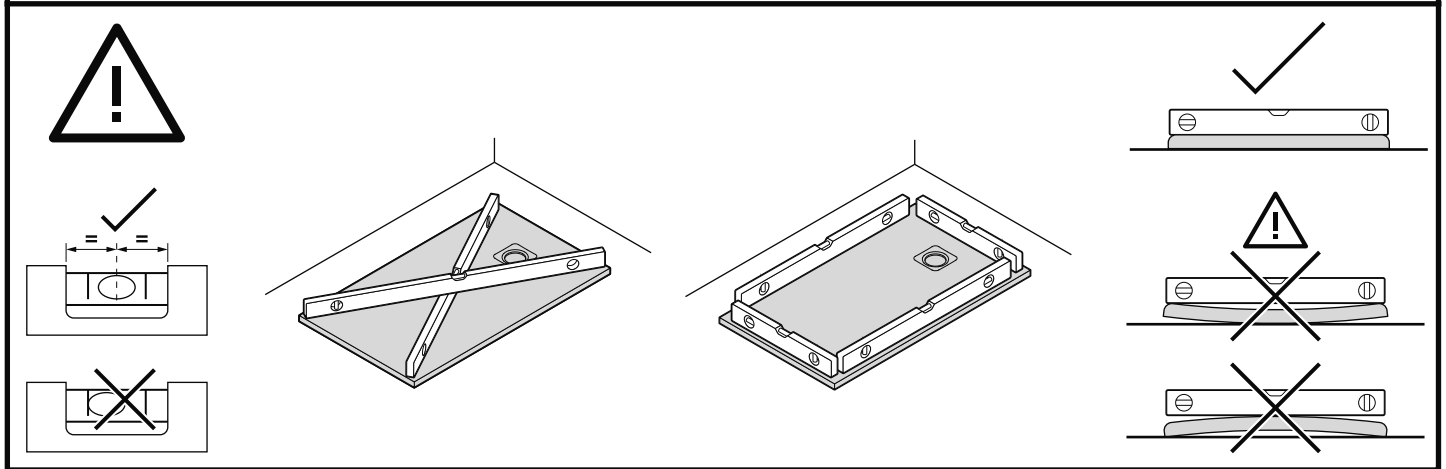
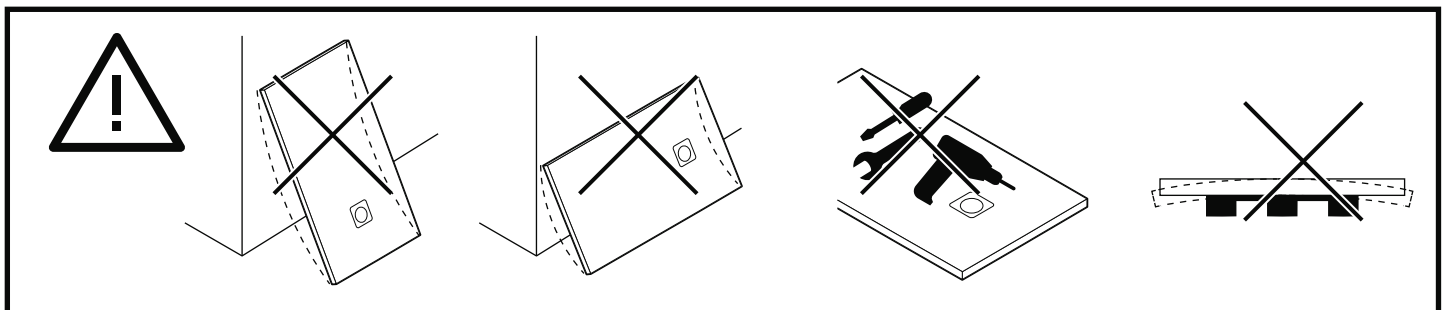
Square shower tray dimensions



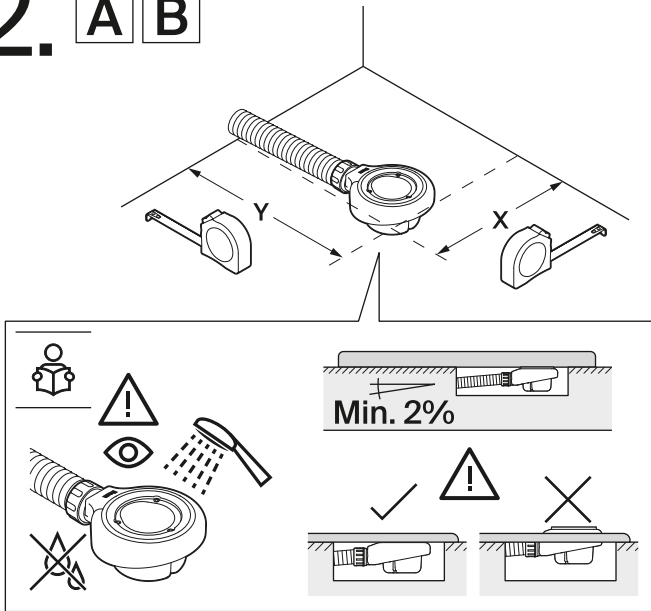
800x800

900x900

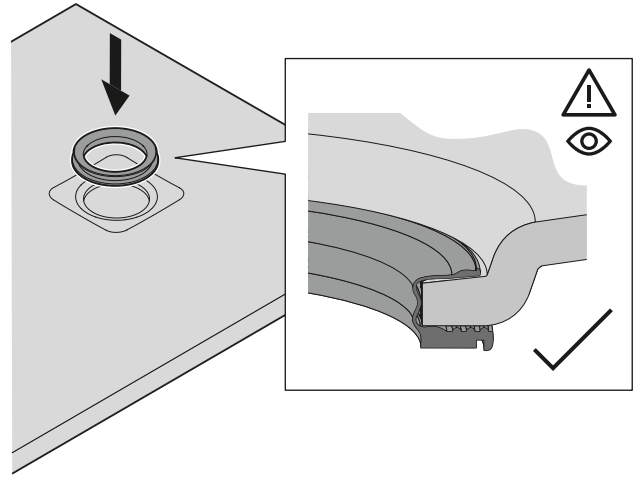
1000x1000



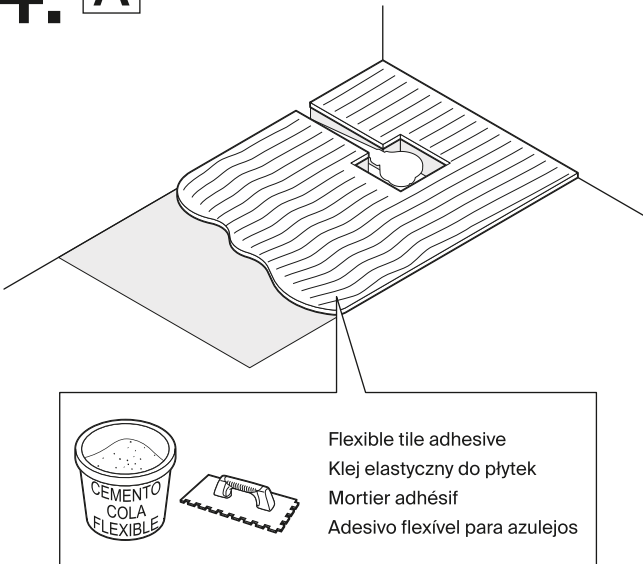
2. A B



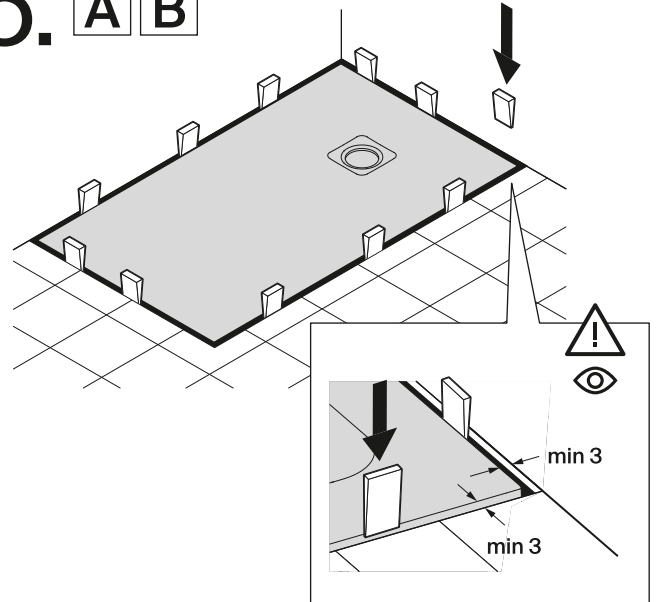
3. A B



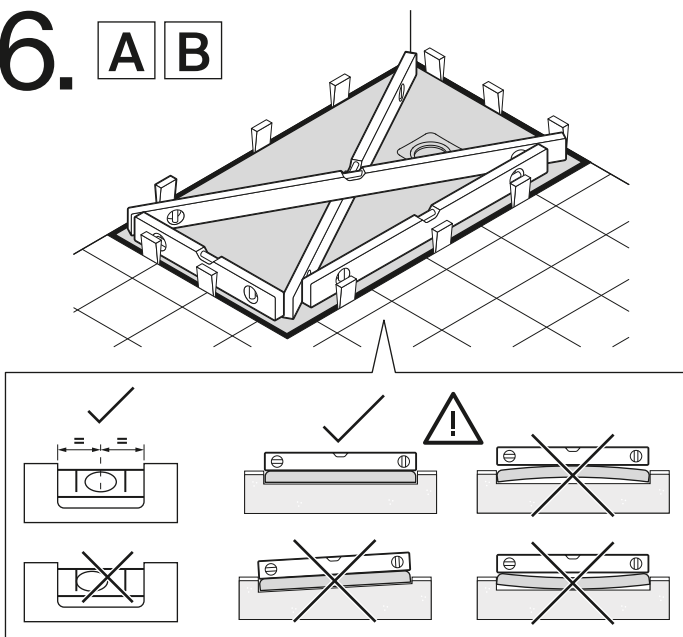
4. A



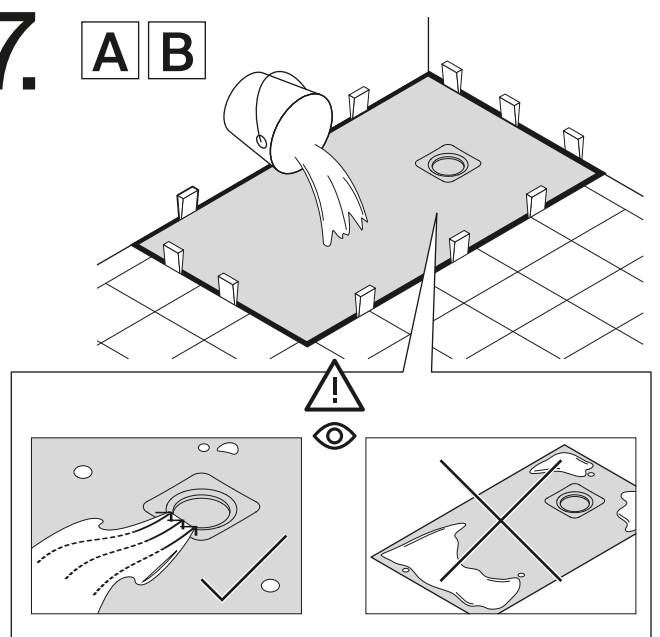
5. A B



6. A B

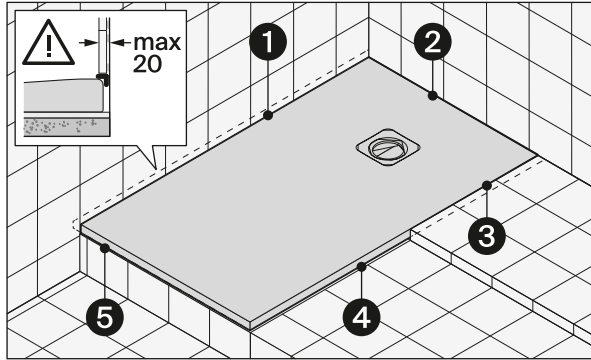


7. A B



8.

Según instrucciones del fabricante
According to manufacturer instructions
Zgodnie z instrukcją producenta
Selon les instructions du fabricant
De acordo com as instruções do fabricante

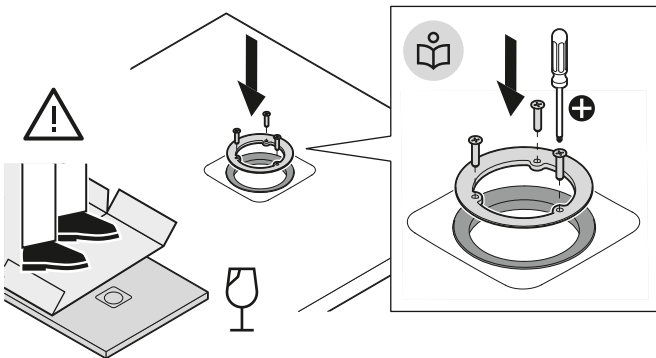


24h

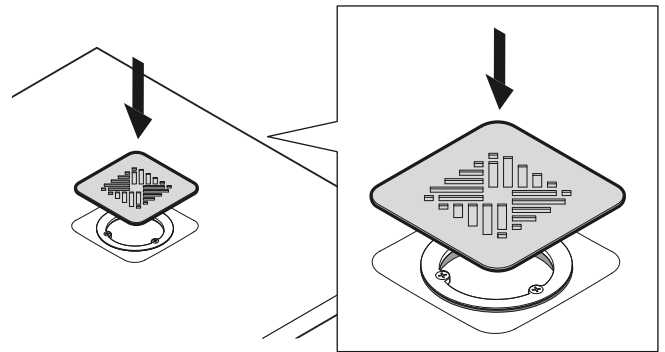
* Silicona no acética
Non acetic silicone
Silikony neutralne
Silicone neutre
Silicone não acético

<p>1</p> <p>A B ✓</p>	<p>2</p> <p>A B ✓</p>	<p>3</p> <p>A B ✓</p>	<p>4</p> <p>A ✓</p>	<p>5</p> <p>A ✓</p>
-----------------------	-----------------------	-----------------------	---------------------	---------------------

9. A B



10. A B



HARD

SOFT